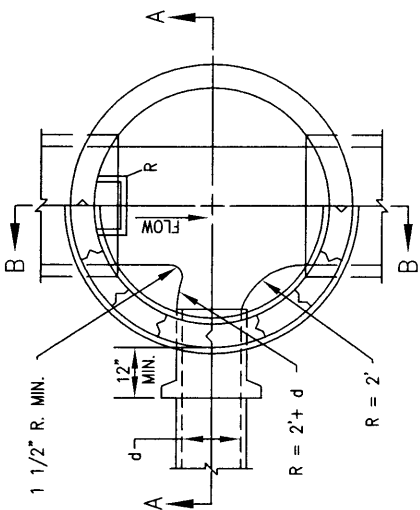


GENERAL NOTES:

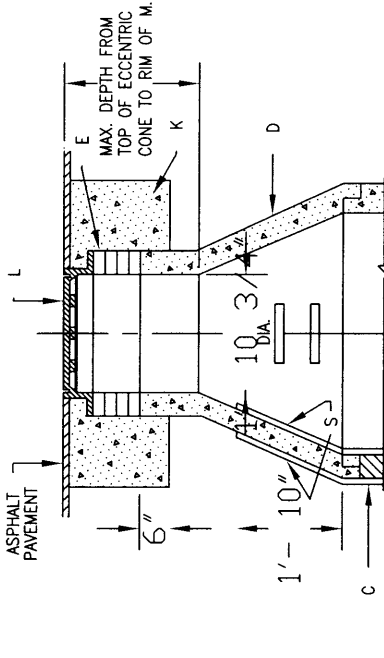
1. TYPE E M.H. NOT TO BE USED FOR DEPTHS LESS THAN 6' MEASURED FROM INV. TO RIM.
2. M.H. GREATER THAN 18' IN DEPTH SHALL BE OF PRECAST CONC. SECTIONS ONLY.
3. DESIGN APPLIES TO 4' AND 6' I.D. MANHOLES.
4. USE NON-SHRINK GROUT FOR JOINTS, FILLETS & PIPE PENETRATIONS.
5. COMPACT ALL BACKFILL AROUND M.H. TO 95%.
6. POSITION M.H. OPENING OVER THE UPSTREAM SIDE OF MAIN LINE.

CONSTRUCTION NOTES:

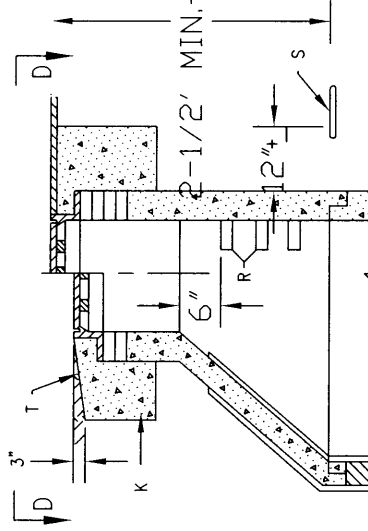
- A. CONCRETE PIPE SUPPORTS SHALL EXTEND OUTSIDE OF M.H. TO BELL OF FIRST JOINT AND SHALL CRADLE PIPE TO SPRING LINE.
- B. PIPE PENETRATION INTO MANHOLE SHALL BE FLUSH TO 2" MAX., MEASURED AT SPRINGLINE OF PIPE.
- E. USE MAX. 4 COURSES GR. MS BRICK ON UNPAVED STREET FOR FUTURE ADJ. OF FRAME TO PAVEMENT GRADE. PLASTER INSIDE WITH 1/2" MORTAR.
- F. BASE TO BE POURED IN PLACE USING NO. 4 BARS AT 6" O.C. EA. WAY FOR M.H. DEPTH OF 16' OR GREATER. NO. 4 BARS AT 12" O.C. EA. WAY FOR M.H. LESS THAN 16' DEEP.
- H. INV. ELEV. OF STUB OR LATERAL AS SHOWN ON PLANS.
- J. 6" GROUT FILLET ON UPPER HALF OF PIPE AND AROUND BASE.
- K. USE A 5' X 5' CONCRETE PAD IN ALL AREAS.
- L. M.H. FRAME AND COVER, SEE DWG. 2110.
- M. CONCRETE FILL, 3000 PSI.
- N. SLOPE 1" PER FT. FROM PIPE CROWN.
- P. SHELF TO BE 9" WIDE MIN.
- Q. APPROVED WATERSTOP TO BE WITH TYPE OF PIPE.
- R. STEPS TO BE INSTALLED AS PER SPEC. SECTION 920.4.7.
- S. END (IN UNPAVED AREAS).
- T. IN UNPAVED AREAS SET FRAME TO GRADE AND SLOPE TOP OF PAD.



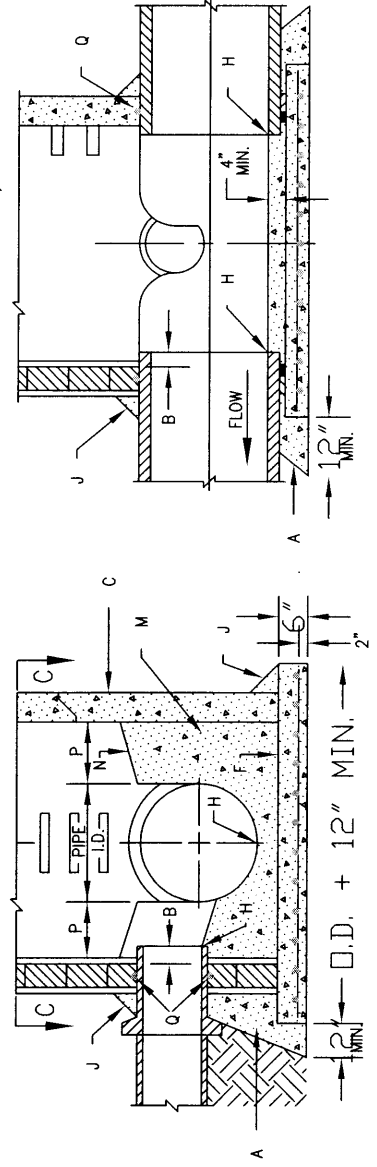
PLAN AT C-C



PLAN AT D-D



CROSS SECTION A-A



CROSS SECTION B-B

REVISIONS

NM APWA  
SEWER  
MANHOLE TYPE "E"

DWG. 2102

FEB. 2006