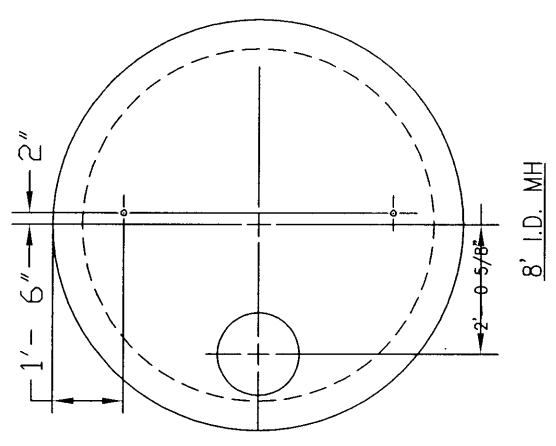
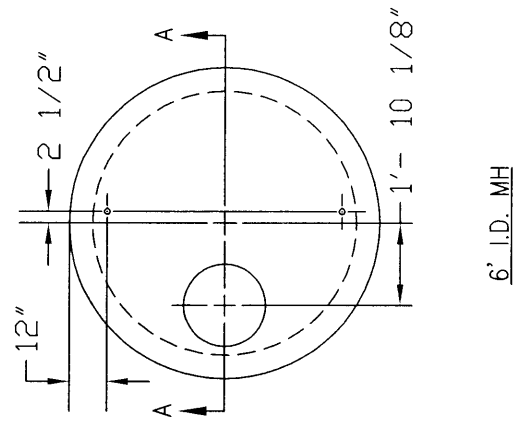


CONSTRUCTION NOTES:

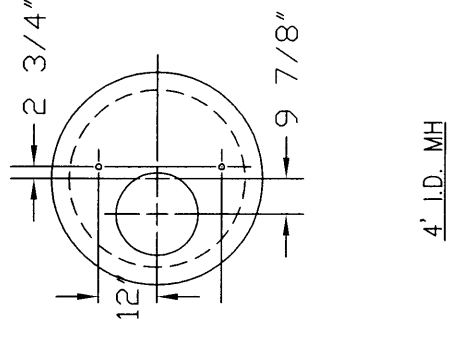
- A. PRECAST REINF. CONC. MH COVER.
- B. ALL BARS TO HAVE 1 1/2" MIN. COVER.
- C. 1" PIPE SLEEVE VERTICALLY THROUGH COVER.
- D. TOP MAT NO. 4 BARS AT 6" O.C. EA. WAY FOR 4, 6 & 8 FT. I.D. MH.
- E. NO. 4 BARS.
- F. BOTTOM MAT NO. 4 BARS 6" O.C. EA. WAY FOR 4 & 6 FT. I.D. MH, NO. 8 BARS 8" O.C. EA. WAY FOR 8 FT. I.D. MH.
- G. NO. 4 BARS FOR 4 & 6 FT. I.D. MH. NO. 8 BARS FOR 8 FT. I.D. MH.
- H. WHEN PRECAST M.H. SECTIONS ARE USED, COVER SHALL BE MODIFIED TO SHAPE OF APPROPRIATE SIZE T & G JOINT.



8' I.D. MH

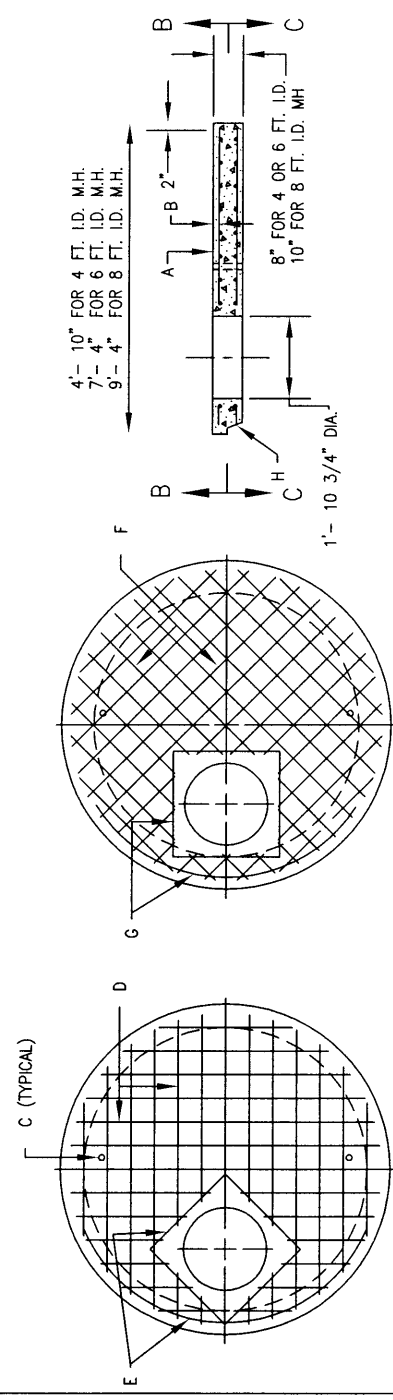


6' I.D. MH



4' I.D. MH

PLAN



SECTION A-A

SECTION C-C  
BOTTOM MAT

SECTION B-B  
TOP MAT

REVISIONS	NM APVA SEWER CONCRETE MANHOLE COVER TYPE "C"
	DWG. 2107