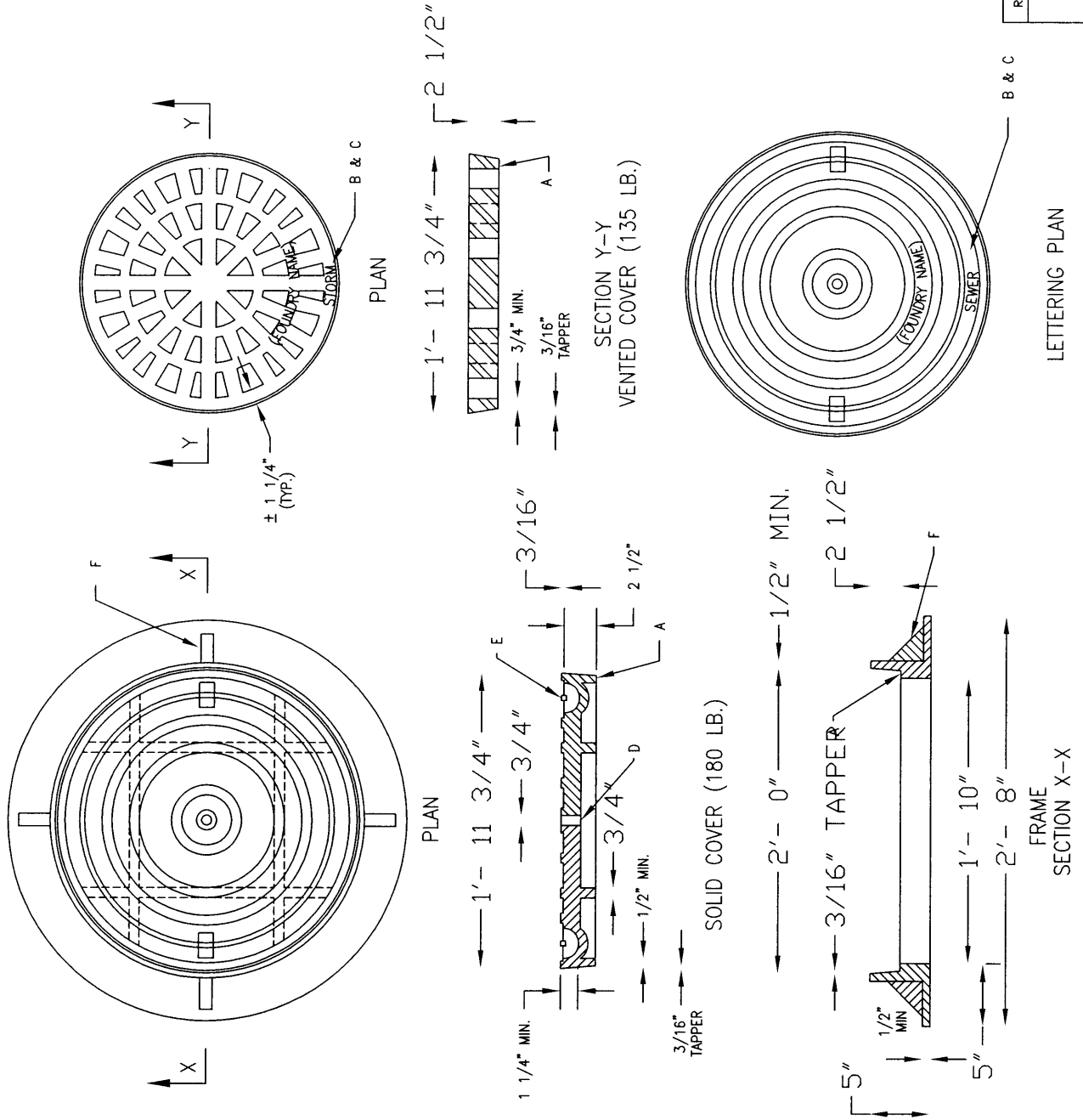


GENERAL NOTES:

1. STANDARD CAST IRON M.H. FRAME AND COVER. WEIGHTS: COVER = 180 LBS., FRAME = 145 LBS. TOTAL = 325 LBS. (TOLERANCE = ± 5%)
  2. REFERENCE SPEC. SECTION 130.
- CONSTRUCTION NOTES:
- A. MACHINED OR GROUND BEARING SURFACES.
  - B. "SEWER", "WATER", OR "STORM" CAST ON COVER TO IDENTIFY SANITARY SEWER, WATER OR STORM DRAINAGE SYSTEMS RESPECTIVELY.
  - C. LETTER SIZE TO BE 1" MIN. IN HEIGHT, TYPICAL.
  - D. VENT HOLE REQUIRED.
  - E. MONOLITHIC CAST IRON OR STEEL ROD INSERTS AT MANUFACTURER'S OPTION. IF INSERT IS PROVIDED IT MUST HAVE 3/16" MIN. COVER AND 3/4" END EMBEDMENT IN CASTING.
  - F. GUSSETS OPTIONAL IF REQUIRED BY MANUFACTURER.



REVISIONS	NM APWA
	SEWER
	MANHOLE FRAME AND COVERS
	DWG. 2110